

Fuel Sender	S3-A	S3-E	
	art.no: 326060 to 326080	art.no: 326000 to 326026	Revision: 2006-9-19

Description:

The S3-fuel sender is made from AISI 316 stainless steel. The sender gives several equal steps to the gauge (depending on the sensor length). S3 can be mounted in flanges FL-2, FL-3, SS-5/4", HFL or in inspection flange FLB-1. The S3-A-sender can replace other fuel senders with resistance 240-30 ohm.

The S3-E-sender can replace other fuel senders with resistance 0-180 ohm. The FL-2 flange will in most cases allow you to use the original hole and screws in the tank.

Troubleshooting:

To test correct operation, unscrew fuel sender, connect two wires to multimeter, set to resistance and move float up and down by hand.

S3-A-sensor

With float at the bottom it should read 240 ohm and at the top 30 ohm.

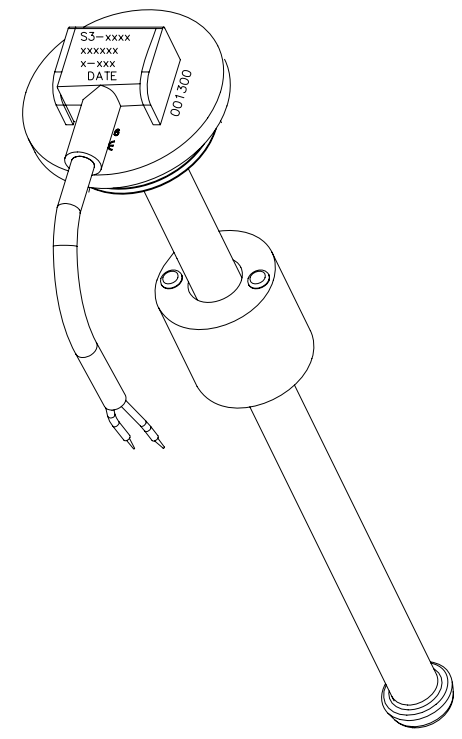
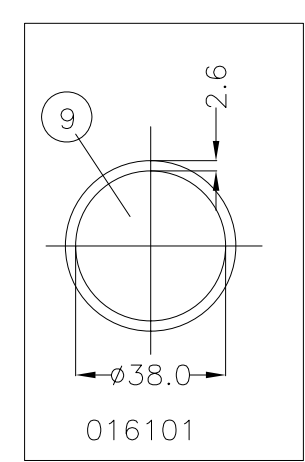
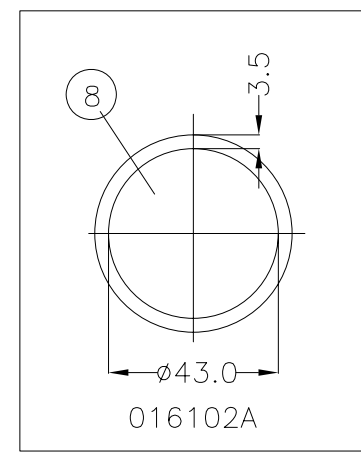
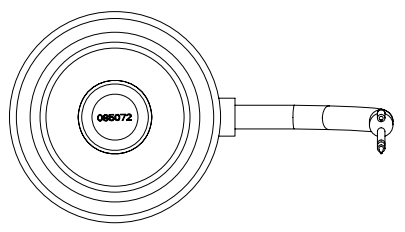
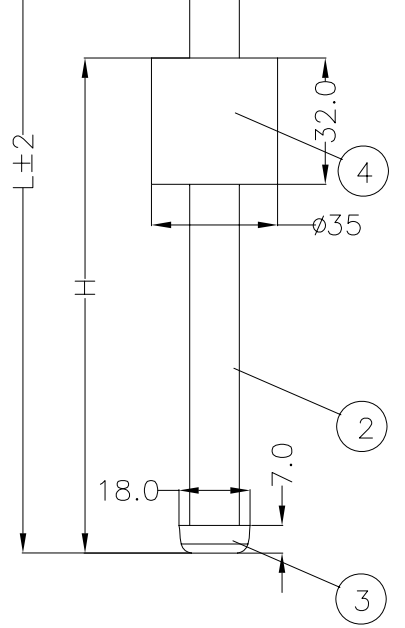
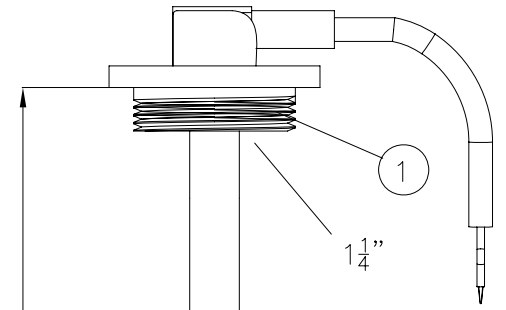
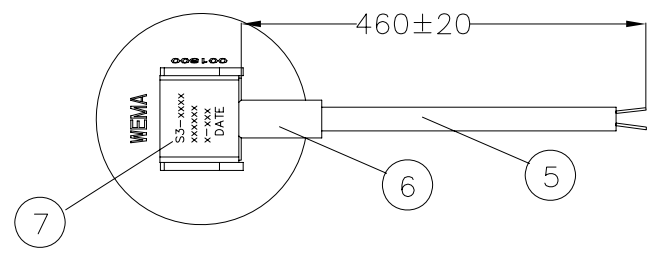
S3-E-sensor

With float at the bottom it should read 0 ohm and at the top 180 ohm.



Table for S3-A-sender			Table for S3-E-sender		
Art.no.	Type	Length mm	Art.no.	Type	Length mm
326060	S3-A150	150	326000	S3-E150	150
326061	S3-A175	175	326001	S3-E175	175
326062	S3-A200	200	326002	S3-E200	200
326063	S3-A225	225	326003	S3-E225	225
326064	S3-A250	250	326004	S3-E250	250
326065	S3-A275	275	326005	S3-E275	275
326066	S3-A300	300	326006	S3-E300	300
326067	S3-A350	350	326007	S3-E350	350
326068	S3-A400	400	326008	S3-E400	400
326069	S3-A450	450	326009	S3-E450	450
326070	S3-A500	500	326010	S3-E500	500
326071	S3-A550	550	326011	S3-E550	550
326072	S3-A600	600	326012	S3-E600	600
326073	S3-A650	650	326013	S3-E650	650
326074	S3-A700	700	326014	S3-E700	700
326075	S3-A750	750	326015	S3-E750	750
326076	S3-A800	800	326016	S3-E800	800
326077	S3-A850	850	326017	S3-E850	850
326078	S3-A900	900	326018	S3-E900	900
326079	S3-A950	950	326020	S3-E1000	1000
326080	S3-A1000	1000	326021	S3-E1100	1100
			326022	S3-E1200	1200
			326023	S3-E1300	1300
			326024	S3-E1400	1400
			326025	S3-E1500	1500
			326026	S3-E1600	1600

DATE	CHANGED	DATE	CHANGE	BY



POS. NO.	QTY.	NAME, TYPE	DRAW. NO.	MATERIAL	SUPPLIER / SPECIFICATION	MATR. SPEC.
9	1	O-ring	016101	NBR 70	38*2.6	
8	1	O-ring	016102A	NBR 70	43*3.5	
7	1	ALU Cover	019915	ALU		
6	1	Rubber Cover	017300			
5	1	Cable			blue,black	
4	1	Float	021311	NBR-60	FLOAT 32*35,MAGNET 22*4*4	
3	1	Plug	085072	SUS 316		
2	1	Reed pipe	J20001	SUS 316	∅12.7	
1	1	Sensor head	001300A	SUS 316		

PROJECT:		SCALE: R _s = 12.5		1:1	
DATE:	NAME:	S3		ISSUE: 01	
DRAW. NO.:	APP.:	S3		PIZZA: 01	
WEMA	REPLAC. FOR:	REPLAC. OF:			