

Fuel Sender	S5-A	S5-E	
	art.no: 323130 to 323150	art.no: 323100 to 323126	Revision: 2006-9-19

Description:

The S5-fuel sender is made from AISI 316 stainless steel. The sender gives several equal steps to the gauge (depending on the sensor length). S5 has standard SAE 5 hole pattern for mounting.

The S5-A-sender can replace other fuel senders with resistance 240-30 ohm.

The S5-E-sender can replace other fuel senders with resistance 0-180 ohm.

Troubleshooting:

To test correct operation, unscrew fuel sender, connect two wires to multimeter, set to resistance and move float up and down by hand.

S5-A-sensor

With float at the bottom it should read 240 ohm and at the top 30 ohm.

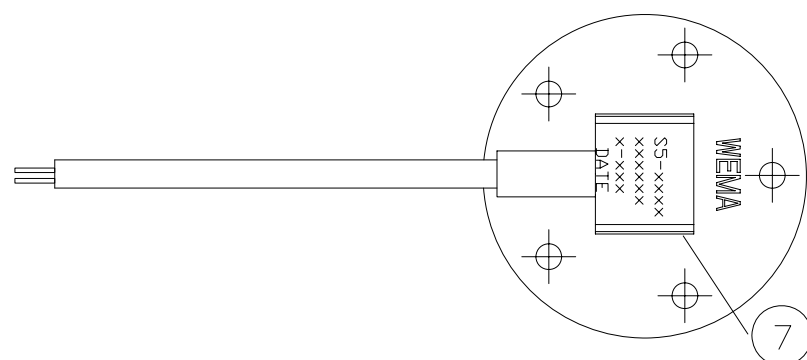
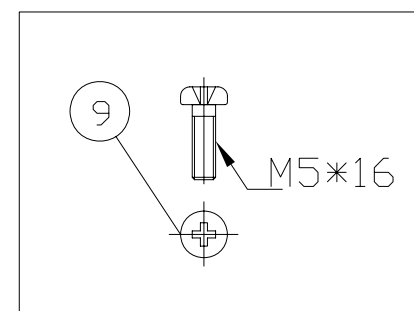
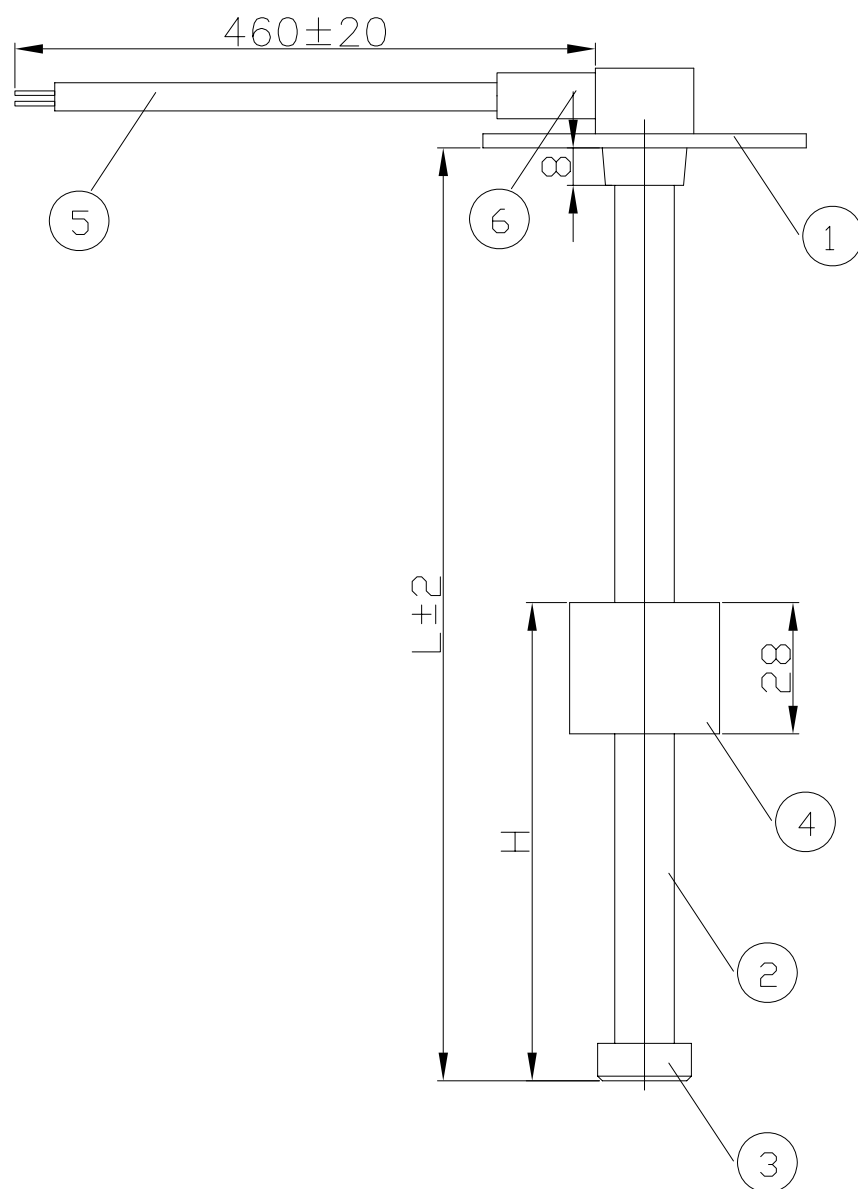
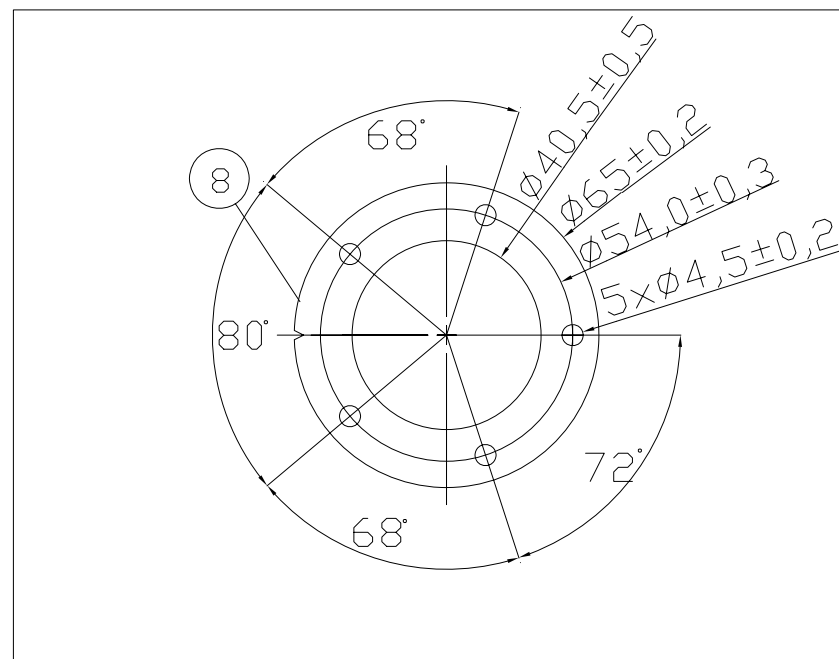
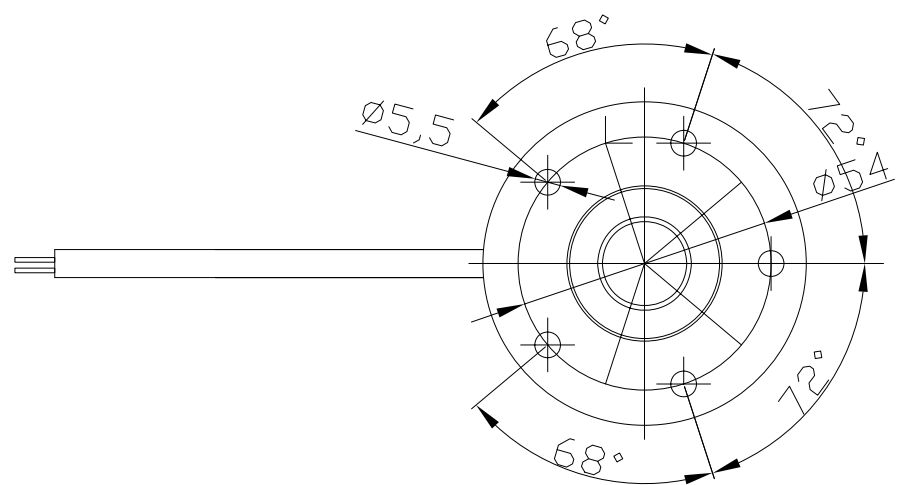
S5-E-sensor

With float at the bottom it should read 0 ohm and at the top 180 ohm.



Table for S5-A-sender			Table for S5-E-sender		
Art.no.	Type	Length mm	Art.no.	Type	Length mm
323130	S5-A150	150	323100	S5-E150	150
323131	S5-A175	175	323101	S5-E175	175
323132	S5-A200	200	323102	S5-E200	200
323133	S5-A225	225	323103	S5-E225	225
323134	S5-A250	250	323104	S5-E250	250
323135	S5-A275	275	323105	S5-E275	275
323136	S5-A300	300	323106	S5-E300	300
323137	S5-A350	350	323107	S5-E350	350
323138	S5-A400	400	323108	S5-E400	400
323139	S5-A450	450	323109	S5-E450	450
323140	S5-A500	500	323110	S5-E500	500
323141	S5-A550	550	323111	S5-E550	550
323142	S5-A600	600	323112	S5-E600	600
323143	S5-A650	650	323113	S5-E650	650
323144	S5-A700	700	323114	S5-E700	700
323145	S5-A750	750	323115	S5-E750	750
323146	S5-A800	800	323116	S5-E800	800
323147	S5-A850	850	323117	S5-E850	850
323148	S5-A900	900	323118	S5-E900	900
323149	S5-A950	950	323120	S5-E1000	1000
323150	S5-A1000	1000	323121	S5-E1100	1100
			323122	S5-E1200	1200
			323123	S5-E1300	1300
			323124	S5-E1400	1400
			323125	S5-E1500	1500
			323126	S5-E1600	1600

ISSUE	CHORDER	DATE	CHANGE	BY



POS.	QTY.	NAME, TYPE	DRAW. NO.	MATERIAL	SUPPLIER / SPECIFICATION	MATR.SPEC.
9	5	Screw	022011	SUS 316	M5*16	
8	1	Gasket	016601	NBR 70		
7	1	ALU Cover	019915	ALU		
6	1	Rubber Cover	017300			
5	1	Cable	SP888-01		blue,black	
4	1	Float	021307	NBR-60	FLOAT 32*28,MAGNET 16*4*4	
3	1	Plug	085072	SUS 316		
2	1	Reed pipe	J20001	SUS 316	$\phi 12.7$	
1	1	Sensor head	001305	SUS 316		

PROJECT:		ART. NO./REF:	
TOLERANCE: ISO2768C		SURFACE ROUGHNESS: $R_a =$	
DATE: 05.04.19	Name: SUNNY	SCALE: 1:1	
CHECK:		S5	
STAND:			
WEMA		DRAWING NO. ART. NO./REF: S5	
ORIGIN:	REPLAC. FOR:	ISSUE: 01	
	REPLAC. OF:	PAGE: 1	